

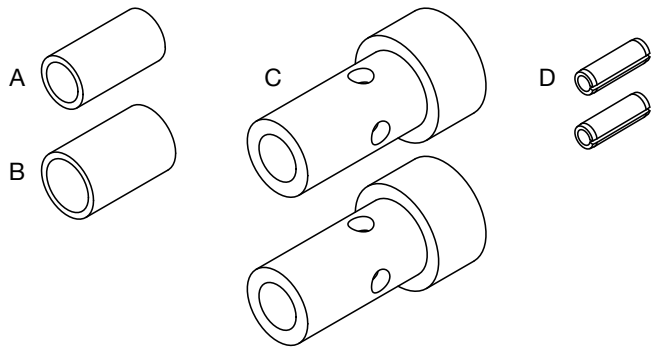
Quick Hitch Bushing Kit



Adapt Category 1 3-Point Pins to work with a Quick Hitch

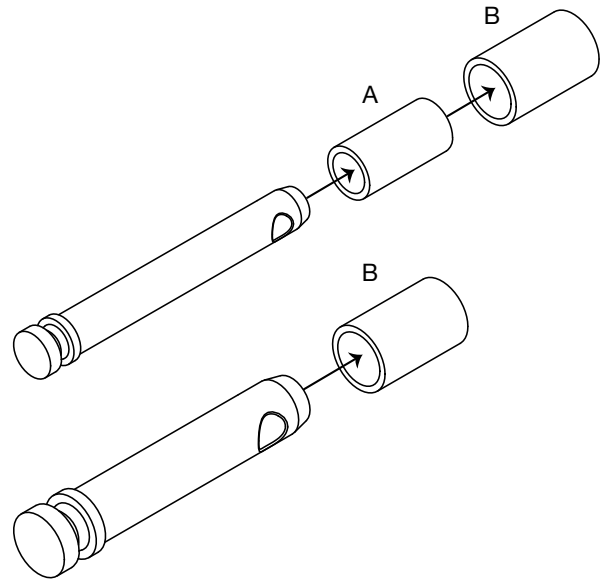
Kit Includes

Letter	Description	Qty
A	Top Link Bushing — Cat. 1 to Cat. 2 (3/4" inner dia. x 1" outer dia.)	1
B	Top Link Bushing — Cat. 2 to Cat. 3 (1" inner dia. x 1-1/4" outer dia.)	1
C	Shoulder Bushings	2
D	Roll Pins	2

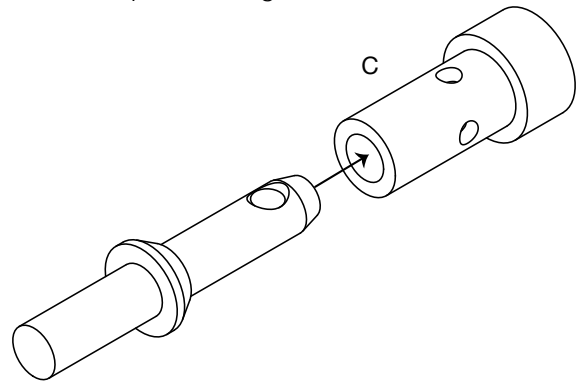


Installation Instructions

- Slide the top link bushing(s) over the top link pin. To provide a secure connection, use A and B together if the top link pin is Cat. 1, or use only B if pin is Cat. 2.



- Slide the Shoulder Bushings (C) over the implement's lower link pins and align the holes.



- Using a hammer, tap the roll pins (D) through the holes.

